

NRC7292 EVK

IEEE 802.11ah Wi-Fi Module Evaluation Kit



IEEE 802.11ah is a new Wi-Fi standard operating in the Sub 1GHz license-exempt band, offering longer range and lower power connectivity necessary for internet of things (IoT) applications. NRC7292 EVK facilitates evaluation and software development around NRC7292 Wi-Fi module. NRC7292 module contains external RF front end module (FEM) which can increase transmission power up to 23 dBm. On-board serial flash can be used for OTA software development and with internal 32KB cache memory. It can also support execution in place (XIP) feature.

With the dual embedded ARM Cortex-M0 and Cortex-M3 processor, NRC7292 module can be used either as a standalone or a slave to a host processor via serial peripheral interface (SPI) or universal asynchronous receiver transmitter (UART) interface. In addition, it can support both AP and STA roles.

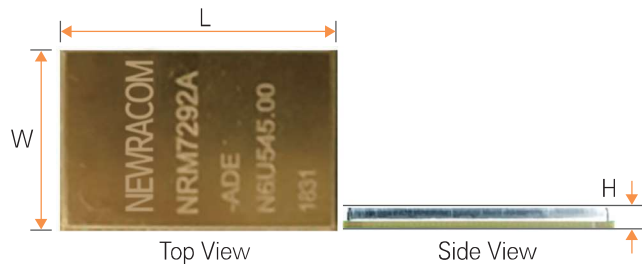


Module Features

- IEEE 802.11ah™-2016
- 1/2/4 MHz channel bandwidth support
- WPA2 PSK support
- Both AP and STA role support
- 109 dBm maximum receive sensitivity
- 750 ~ 950 MHz frequency band
- 150 Kbps ~ 15 Mbps data rate
- UART and SPI support for host interface
- +23 dBm transmit power



Module Dimensions (mm)

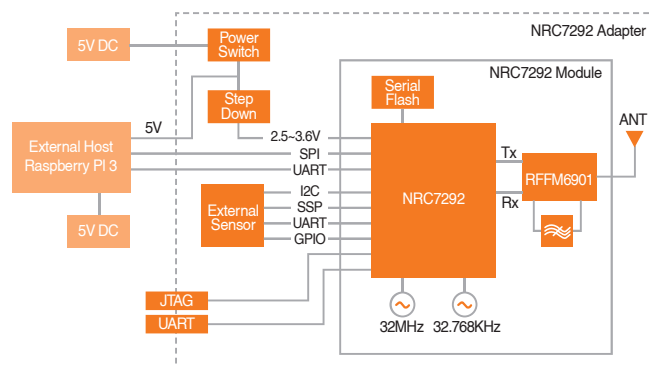


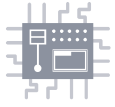
- L : 30
- W : 20
- H : 2.4



Target Applications

- IoT applications
- Wearables
- Home automation
- Healthcare
- Industrial automation
- Safety and security
- Smart grid
- Multimedia streaming





Evaluation Board Features

- o IEEE 802.11ah Wi-Fi SoC solution
- o Micro-USB type B connector for serial interface
- o 20-Pin header connector for JTAG interface
- o 40-Pin header connector for Raspberry PI 3 Model B interface
- o DIP switch for Wi-Fi module configuration
- o SMA female connector for ANT

